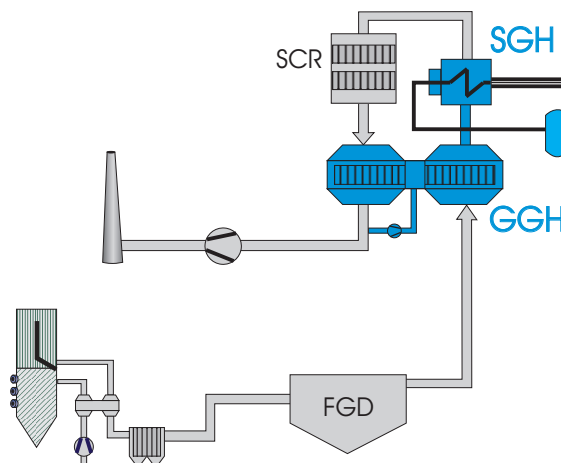
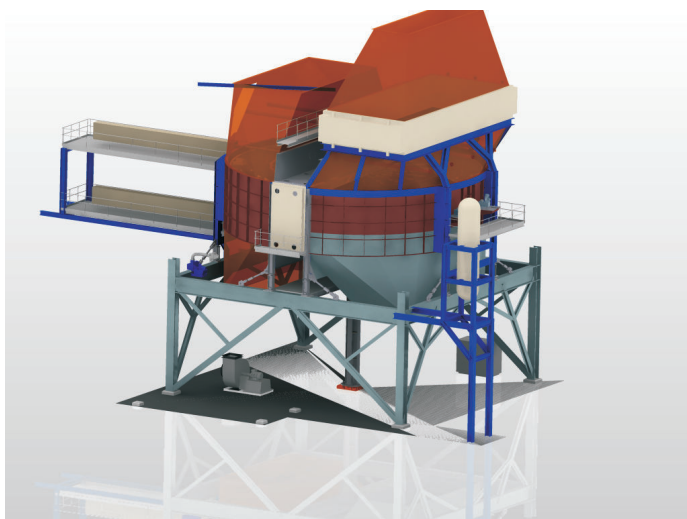


Amager Power Station



A Gas-Gas Heater and a Steam Gas Heater for the Tail-end DeNOx Plant



In 2006 Vattenfall A/S, Nordic Generation, Thermal Power, awarded a contract to BWE for heat exchangers for Amager Power Station Unit 1, Denmark. This followed the previous orders to BWE for the main boiler and the HP piping.

(GGH) and a Steam Gas Heater (SGH). The two exchangers are part of the new environmental plant and are used for heating up the flue gas from 50°C to 315°C prior to the catalytic removal of NOx in a Tail-end DeNOx process.

The contract was part of the major upgrade of Unit 1 and comprised the design, delivery and erection of a rotating regenerative Gas-Gas Heater

The erection activities started early 2007 and the plant is scheduled to start commercial operation in 2009.

World leader in steam power technology

Burmeister & Wain Energy A/S has specialized in the development and design of advanced steam boiler plants for utility and biomass fired power stations.

Furthermore, BWE designs a wide range of auxiliary power station equipment such as the BWE Low-NOx coal/oil/N-gas/biomass burners, Air Preheaters and Gas-Gas Heaters.

BWE is part of the Italian STF S.p.A. Group.

Performance Data:

Duty - GGH: 47,080 kW
Duty - SGH: 5,060 kW

Untreated Flue Gas:

Flow, inlet 164 kg/s
Temperature, inlet 49 °C
Temperature, outlet GGH 291 °C
Temperature, outlet SGH 316 °C

Treated Flue Gas:

Flow, inlet 177 kg/s
Temperature, inlet 315 °C
Temperature, outlet 79 °C

GGH Specification:

Type: GVID 32.5 / 3000

Rotor diameter 14.66 m
Rotor height 3,300 mm
Rotor speed 0.8 min⁻¹

Heating elements:

Profile type - cold end layer DU+E
Height - cold end layer 800 mm
Profile type - intermediate layer CU+E
Height - intermediate layer 1,100 mm
Profile type - hot end layer CU
Height - hot end layer 1,100 mm
Total heating surface 104,020 m²

BURMEISTER & WAIN ENERGY A/S
Lundtoftøgårdsvej 93A
DK-2800 Kgs. Lyngby, Denmark
Tel. +45 39 45 20 00
Fax. +45 39 45 20 05
E-mail: info@bwe.dk
Http://www.bwe.dk